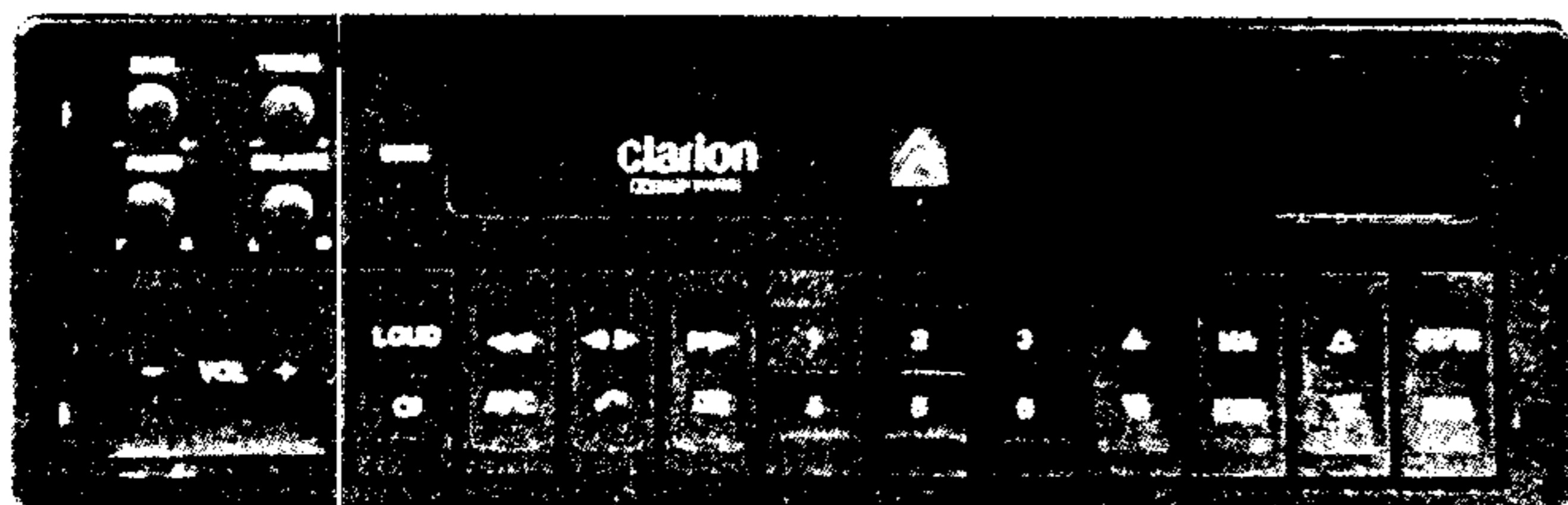


clarion

Service Manual

Published by Service Administration Section



CITROEN
UKW·MPX/MW/LW RADIO
CASSETTE COMBINATION
Model PU-9358A-A

■ SPECIFICATIONS:

Radio section

Circuit system:	Superheterodyne
Tuning system:	Electronic tuning
Receiving frequency:	MW 531 to 1602kHz LW 153 to 281kHz UKW 87.5 to 108MHz
Intermediate frequency:	MW, LW 459kHz UKW 10.7MHz
Quieting sensitivity:	MW Less than 33dB (at 20dB S/N) LW Less than 40dB (at 20dB S/N) UKW Less than 12dB (at 30dB S/N)
Separation:	UKW More than 20dB
Auto. stop sensitivity:	MW DX 20 to 40dB LO 40 to 60dB LW DX 27 to 47dB LO 47 to 69dB UKW DX 17 to 33dB LO 35 to 55dB

S/N ratio:	Normal	More than 45dB/53dB (Dolby-on)
	Metal	More than 47dB/55dB (Dolby-on)

Wow & flutter: Less than 0.15%
(W.R.M.S)

FF/REW time: Less than 100sec.
(C-60)

Composite

Load impedance:	4Ω×4
Power output:	8W×4 (at 10% dist.) More than 12W×4 (at max. output)
Power supply voltage:	DC. 14.0V Negative ground
Power consumption:	Less than 7A (at max. output) Less than 3mA (at BACK UP)
Dimensions:	Width 178mm Height 50mm Depth 160mm

• Dolby noise reduction manufactured under license from Dolby Laboratories Licensing Corporation.
 • "Dolby" and the double-D symbol  are trademarks of Dolby Laboratories Licensing Corporation.

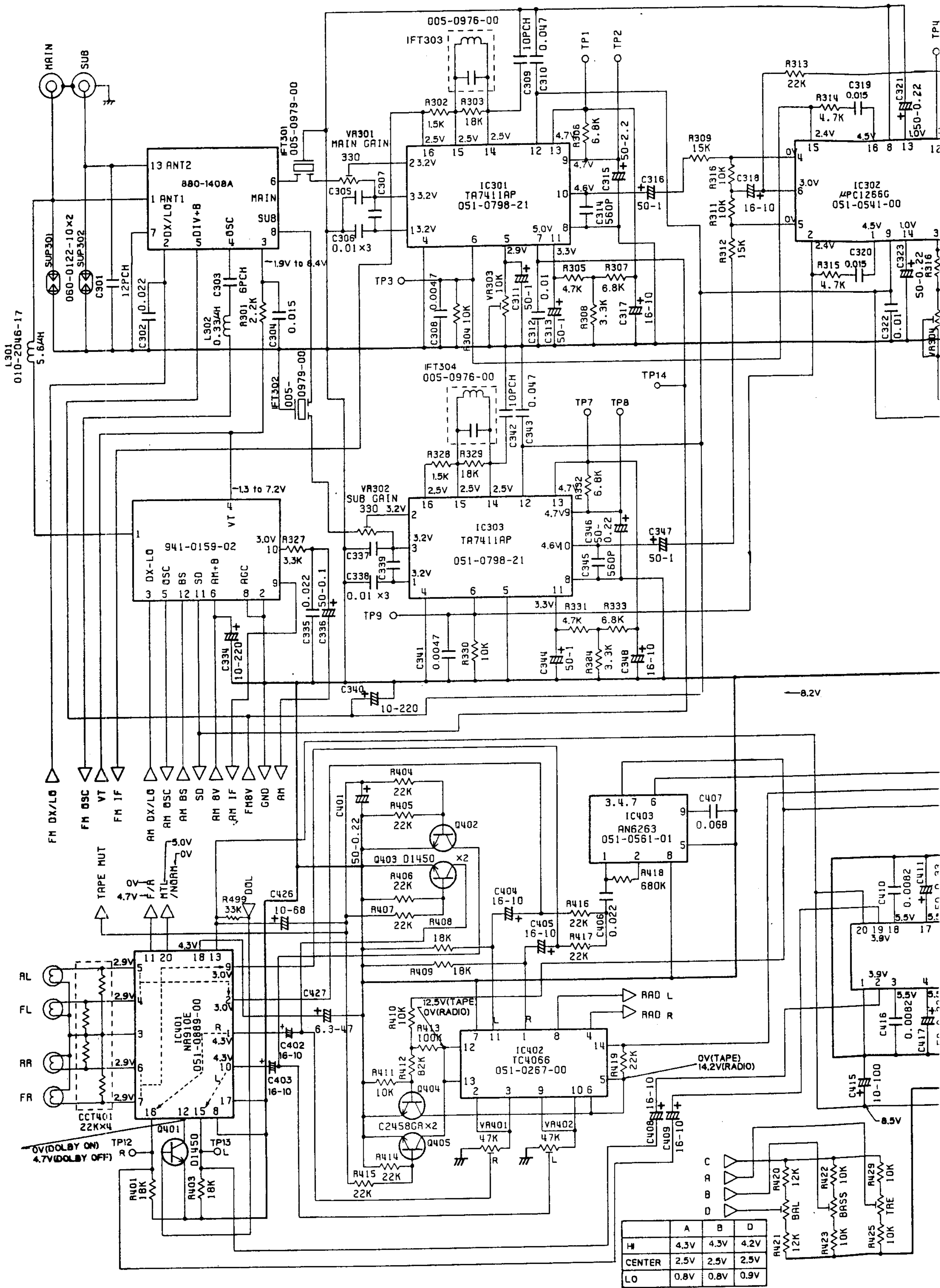
Tape section

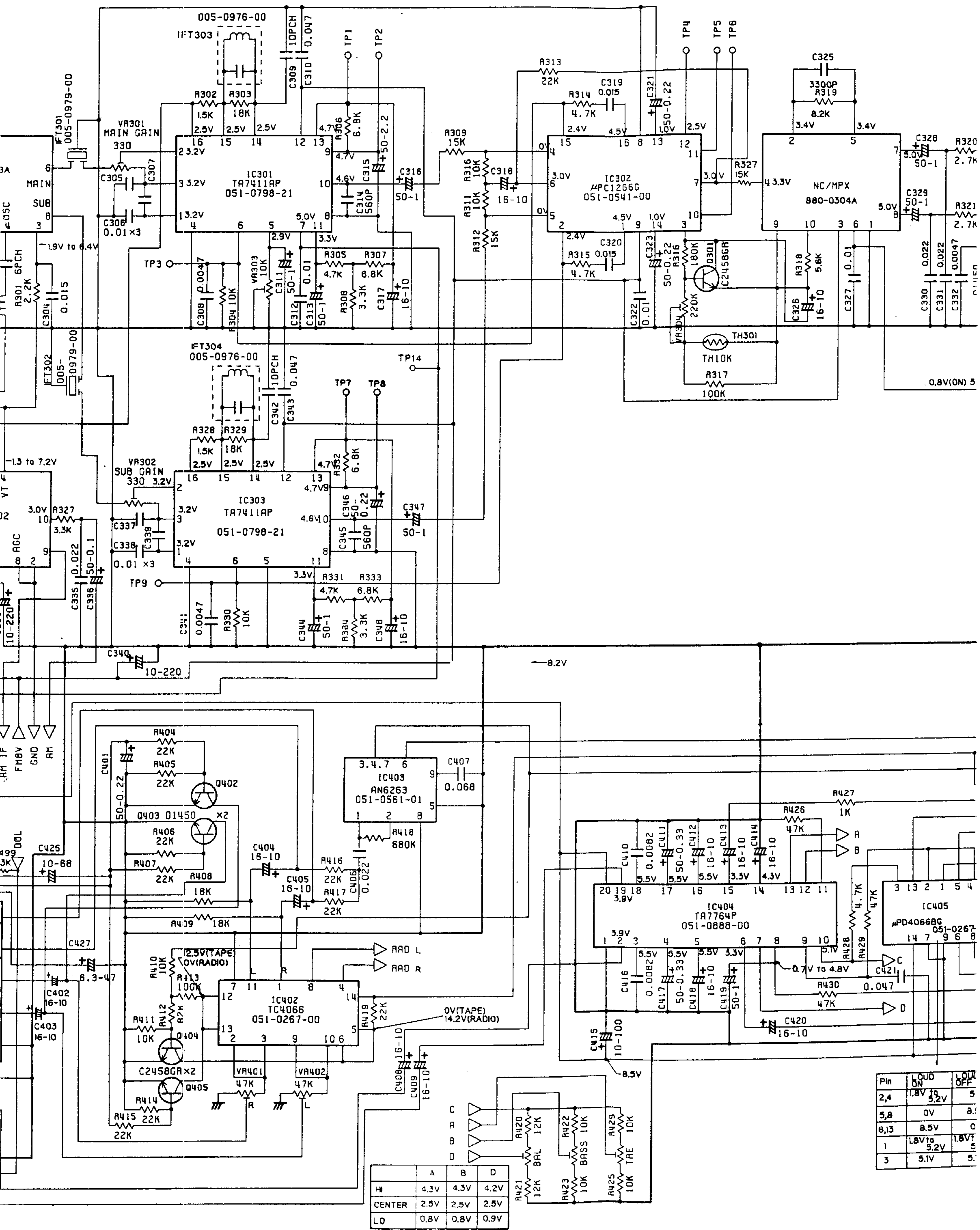
Reproduction system:	Auto reversing 4 track, 2 channel stereo cassette tape playback (Monaural also capable)
Tape speed:	4.76cm/sec. (1-7/8 ips)
Crosstalk:	More than 40dB
Separation:	More than 30dB

■ COMPONENTS:

Main unit		1
Mounting bracket	300-7516-00	1
Removable tool	341-1387-00	2

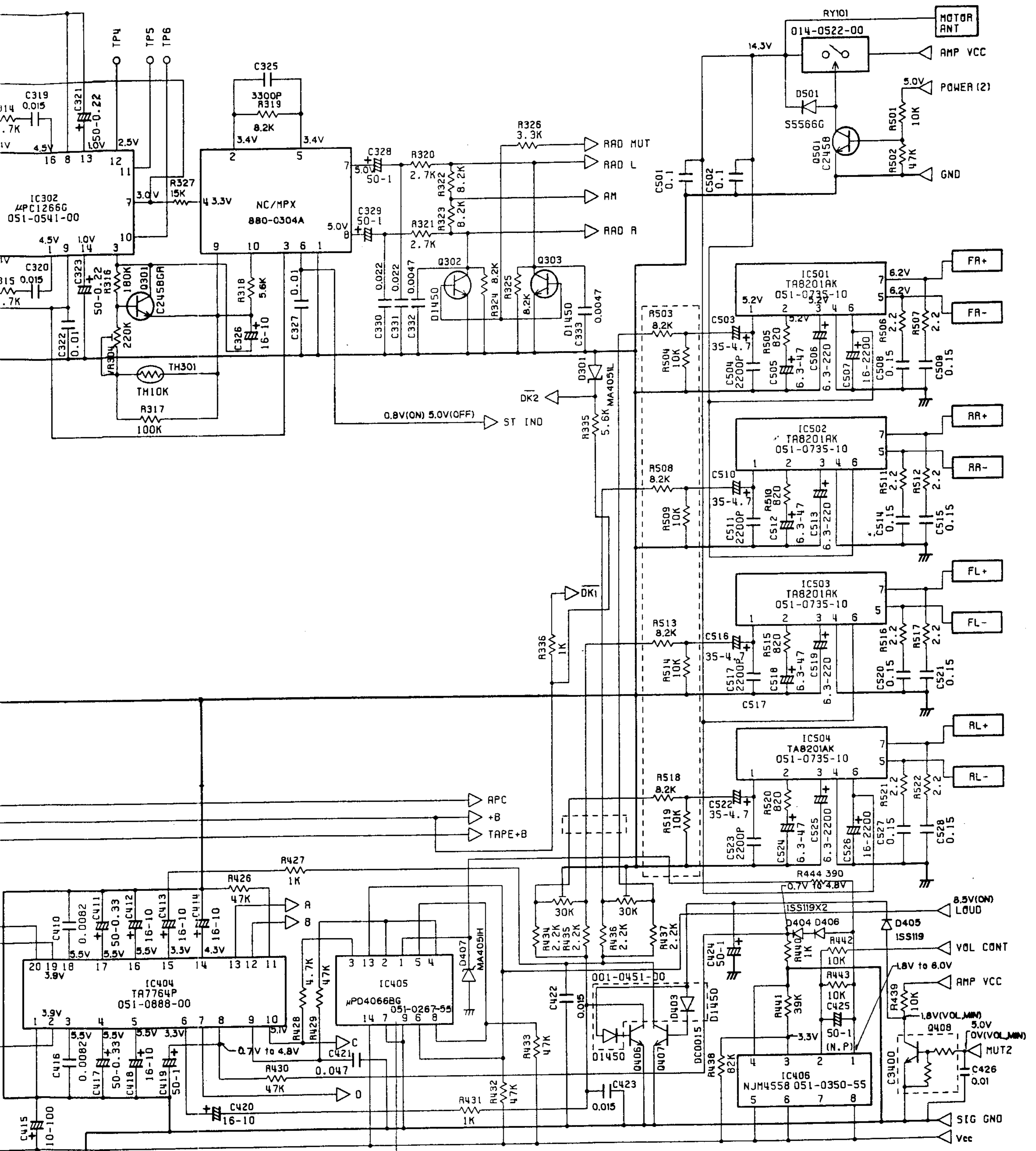
CIRCUIT DIAGRAM: 1/2





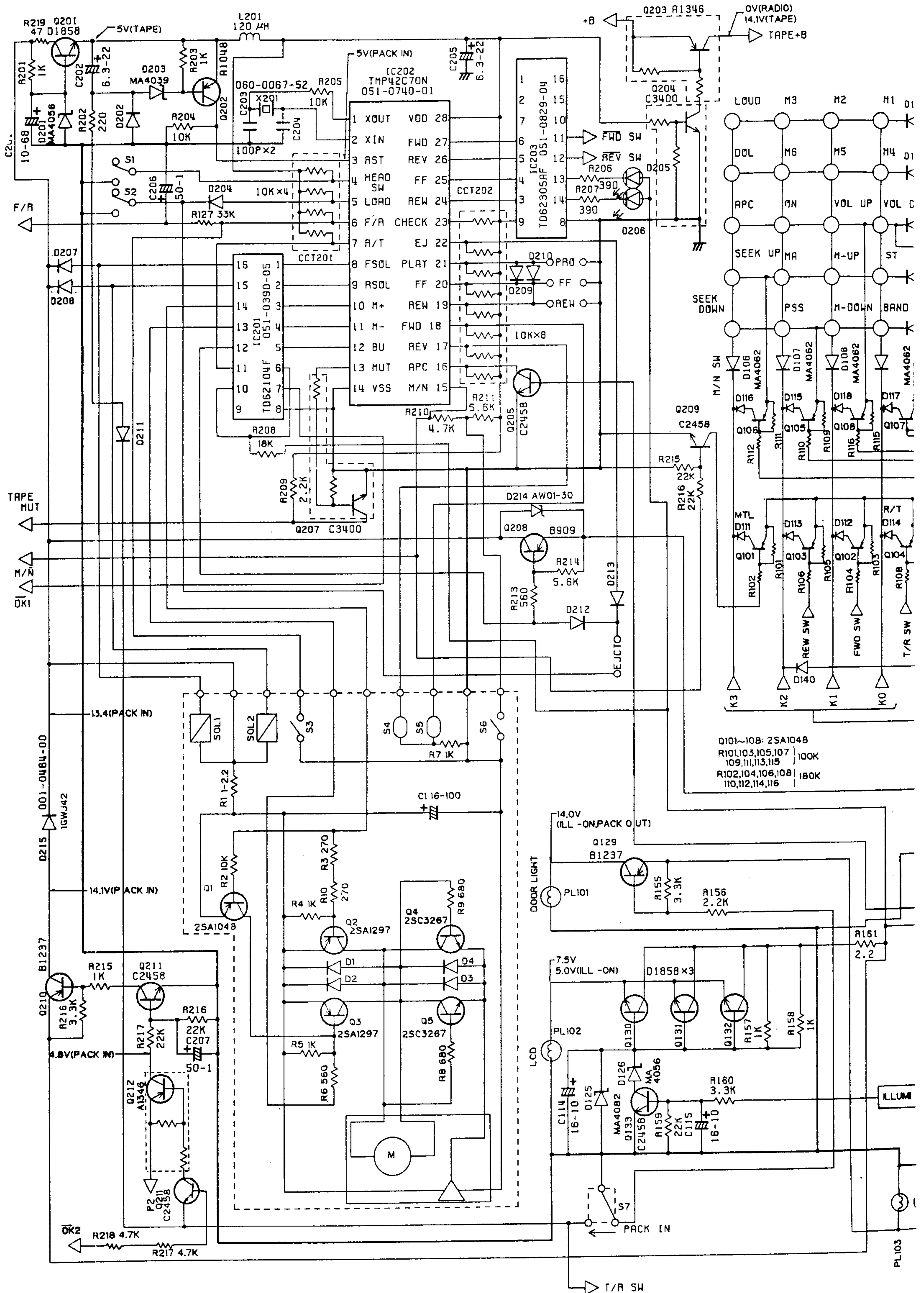
Pin	LOAD ON	LOAD OFF
2,4	1.8V to 3.2V	5
5,8	0V	8:
6,13	8.5V	0
1	1.8V to 3.2V	1.8V
3	5.1V	5:

	A	B	D
H	4.3V	4.3V	4.2V
CENTER	2.5V	2.5V	2.5V
LO	0.8V	0.8V	0.9V

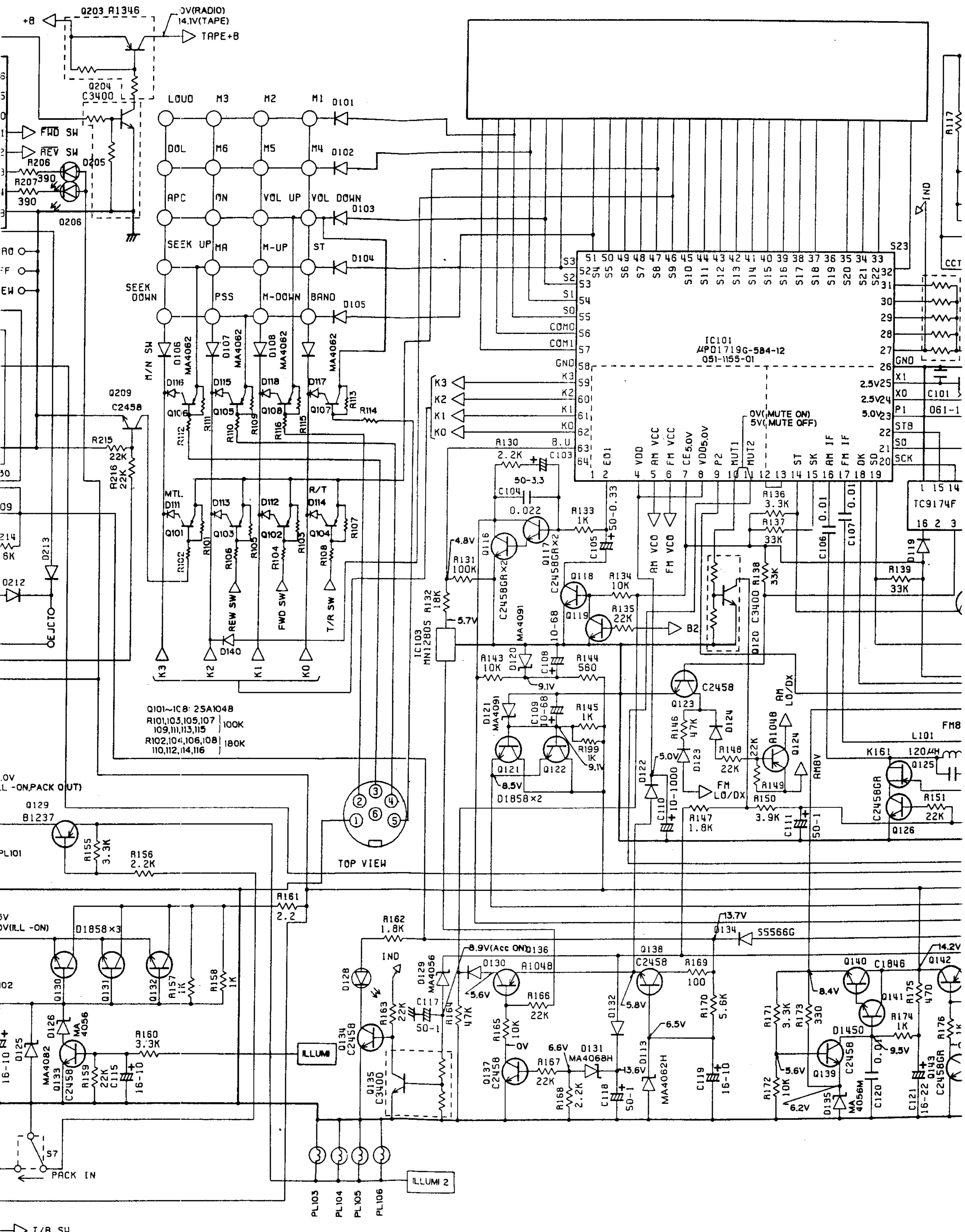


Pin	LOUD ON	LOUD OFF
2,4	1.8V to 5.2V	5.1V
5,8	0V	8.5V
8,13	8.5V	0V
1	1.8V to 5.2V	1.8V to 5.2V
3	5.1V	5.1V

CIRCUIT DIAGRAM: 2/2



Q101~108: 2SA1048
 R101,103,105,107 100K
 109,111,113,115
 R102,104,106,108 180K
 110,112,114,116

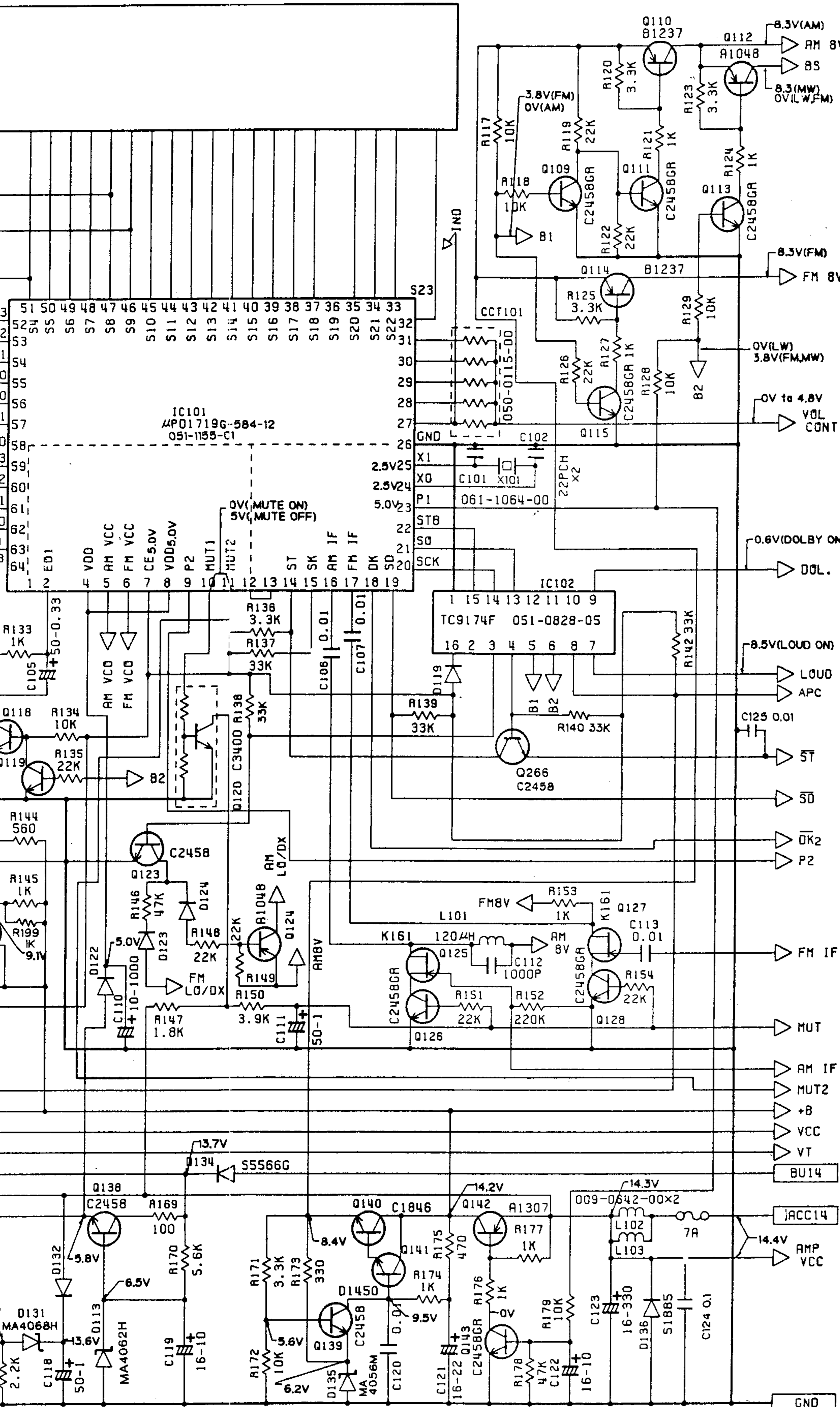


IC101
MPD1719G-584-12
051-155-01

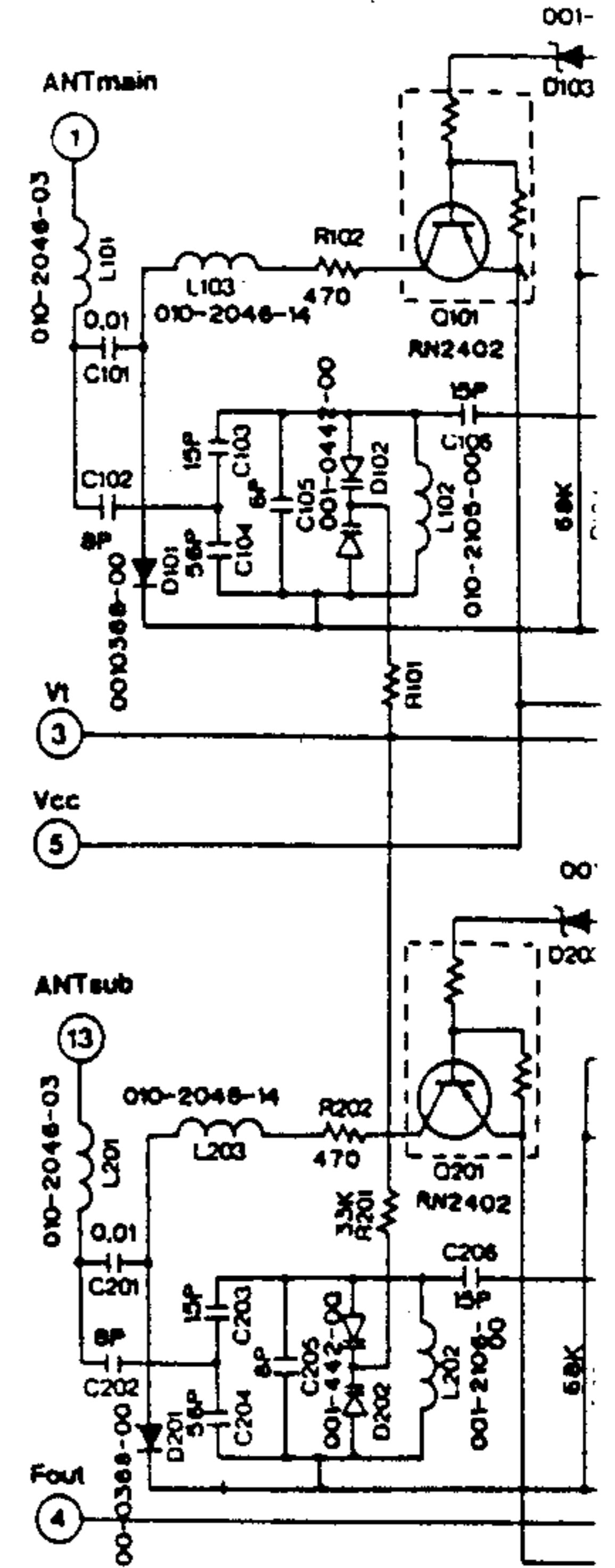
51	50	49	48	47	46	45	44	43	42	41	40	39	38	37	36	35	34	33
52	54	55	56	57	58	59	510	511	512	513	514	515	516	517	518	519	520	521
53	54	55	56	57	58	59	510	511	512	513	514	515	516	517	518	519	520	521
S3	S2	S1	S0	COM0	COM1	GND	K3	K2	K1	K0	E01	VDD	AM VCC	FM VCC	CE5.0V	VDD5.0V	MUT1	MUT2
26	25	24	23	22	21	20	19	18	17	16	15	14	13	12	11	10	9	8
X1	X0	P1	STB	SO	SK	AM IF	FM IF	DK	SO	SK	AM IF	FM IF	DK	SO	SK	AM IF	FM IF	DK
1	2	3	4	5	6	7	8	9	10	11	12	13	14	15	16	17	18	19

BLOCK CIRCUIT

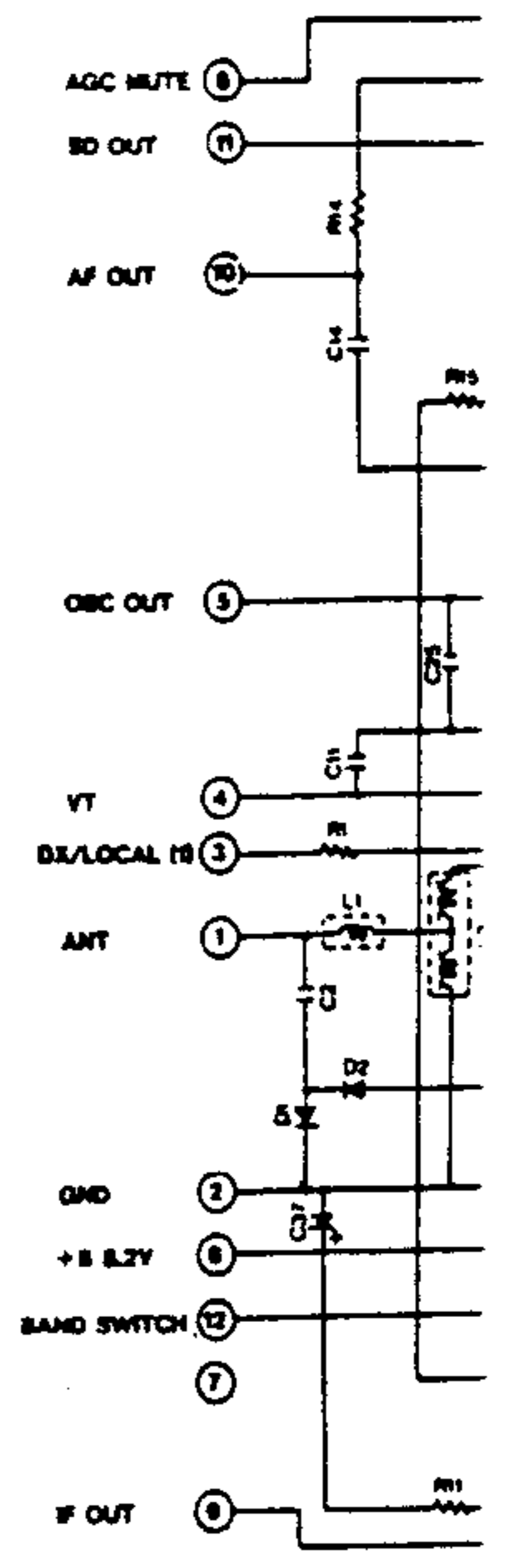
©UKW TUNER PACK: 88



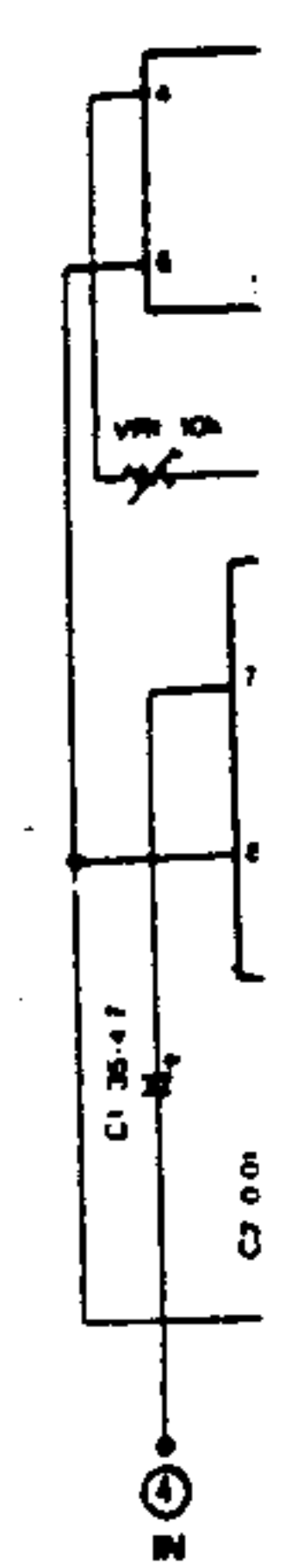
1
2
3
4
5
6
7



©MW/LW TUNER PACK:

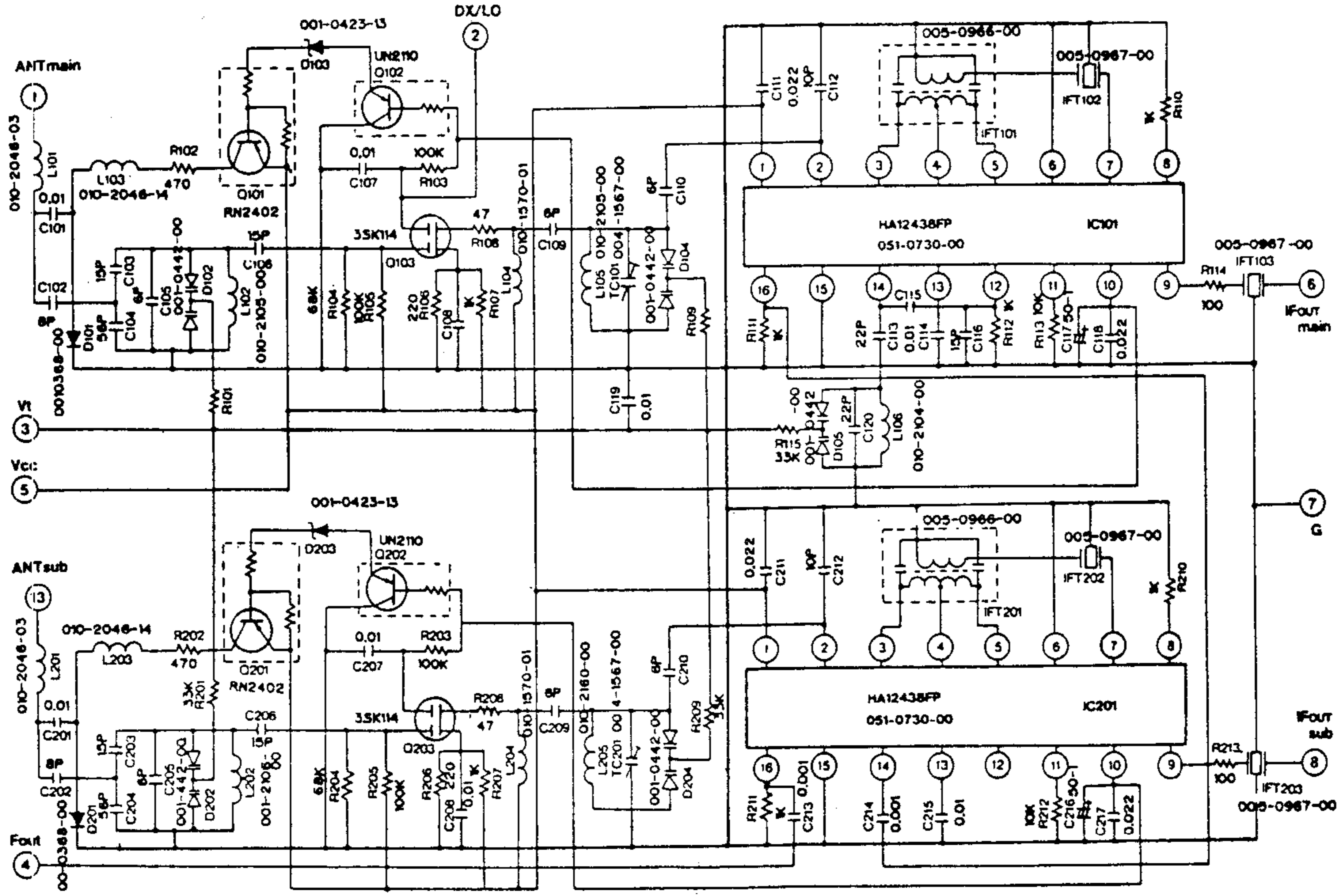


©NC/MPX BLOCK Ass'y:

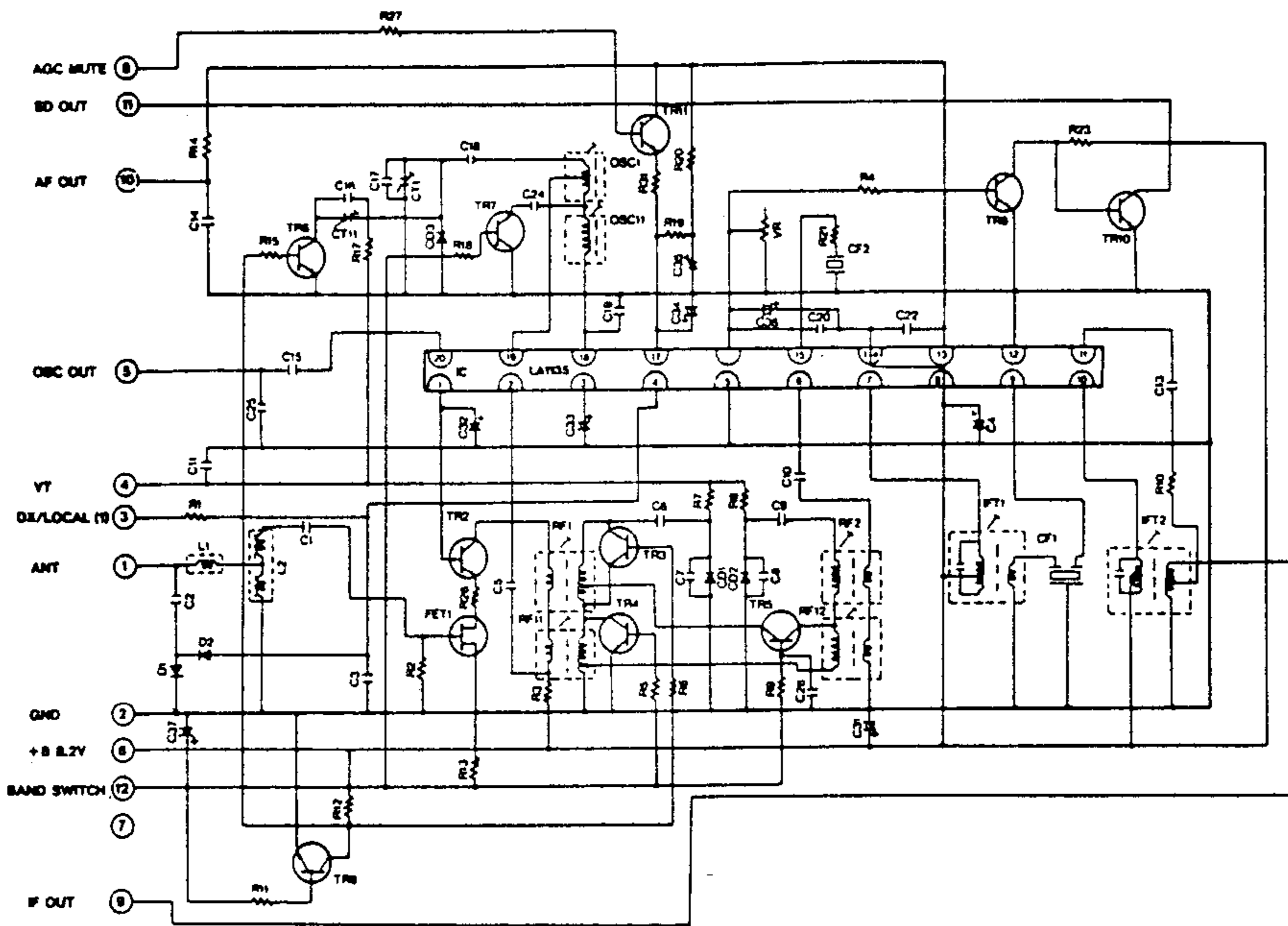


■ BLOCK CIRCUIT DIAGRAM:

©UKW TUNER PACK: 880-1408A



©MW/LW TUNER PACK: 941-0159-02



©NC/MPX BLOCK Ass'y: 880-0304A

